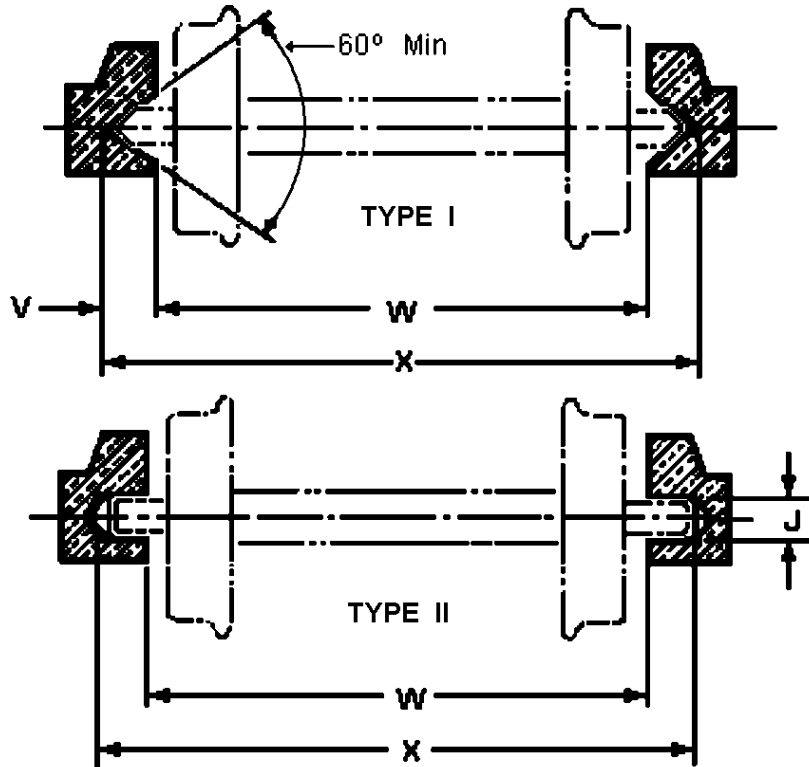


NMRA RECOMMENDED PRACTICES	
JOURNALS	
RP 24.1	Revised: July 1982

NMRA RECOMMENDED PRACTICES
RP-24.1 Journals



Scale	J Journal Bore Diameter min	V Journal Bore Depth min	X Journal Bore Span min	W Journal Face Spacing min
O				
S	.067	.123	1.314	1.068
On3				
OO				
HO	.067	.105	1.038	.828
TT				
HOn3				
N		.050	.569	.469

NOTES:

1. Journal Bore Depths "V" in a sideframe should be equal within 1% of "K", the Check Gage distance of the wheelset.
2. Journal Bore Span "X" should restrict axle end play in excess of 2% of "K" except for the "inside" axles of three or more axle trucks.