

NMRA Technical Note	
Layout Command Control™ (LCC) CAN Physical Layer	
July 22, 2024	TN-9.7.1.1

Adopted as a NMRA Technical Note

The OpenLCB Standard document appended to this cover sheet has been formally adopted as a NMRA Standard by the NMRA Board of Directors on the date shown in the *Adopted* column in the *Version History* table below.

Version History

Date	Adopted	Summary of Changes
Sep 17, 2010		Initial version prepared for Feb-2011 NMRA BoD meeting.
Jun 11, 2012	Aug 2, 2012	Changes from Feb-2011, Jul-2011 & Feb 2012 NMRA BoD meetings and community feedback. Formatting changes to facilitate adding a cover sheet and date disambiguation.
Feb 17, 2015	Feb 20, 2016	Changed title to “Layout Command Control” Changed document numbering and file name
Apr 25, 2021	July 2, 2021	Changed LCC logo to include the ® symbol Changed “Layout Command Control” to have the ™ symbol Added the NMRA Legal Disclaimer fine-print Changed the OpenLCB license to “Creative Commons Attribution-ShareAlike 4.0 International”
July 22, 2024	Jan 24, 2025	Add a section on Electronic Labeling Add a section on Injection Current Added discussion of CAN bit timing Standardize the use of ALT_L/ALT_H for the NMRA S-9.1.2 DCC signal Clarify discussion of gateways and repeaters

Important Notices and Disclaimers Concerning NMRA Standards Documents

The Standards (S), Recommended Practices (RP), Technical Note (TN) and Technical Information (TI) documents of the National Model Railroad Association (“NMRA Standards documents”) are made available for use subject to important notices and legal disclaimers. These notices and disclaimers, or a reference to this page, appear in all standards and may be found under the heading “Important Notices and Disclaimers Concerning NMRA Standards Documents.”

Notice and Disclaimer of Liability Concerning the Use of NMRA Standards Documents

NMRA Standards documents are developed within the Standards and Conformance Department of the NMRA in association with certain Working Groups, members, and representatives of manufacturers and sellers. NMRA develops its standards through a consensus development process, which brings together volunteers representing varied viewpoints and interests to achieve the final product. NMRA Standards documents are developed by volunteers with modeling, railroading, engineering, and industry-based expertise. Volunteers are not necessarily members of NMRA, and participate without compensation from NMRA.

NMRA does not warrant or represent the accuracy or completeness of the material contained in NMRA Standards documents, and expressly disclaims all warranties (express, implied and statutory) not included in this or any other document relating to the standard or recommended practice, including, but not limited to, the warranties of: merchantability; fitness for a particular purpose; non-infringement; and quality, accuracy, effectiveness, currency, or completeness of material. In addition, NMRA disclaims any and all conditions relating to results and workmanlike effort. In addition, NMRA does not warrant or represent that the use of the material contained in NMRA Standards documents is free from patent infringement. NMRA Standards documents are supplied “AS IS” and “WITH ALL FAULTS.”

Use of NMRA Standards documents is wholly voluntary. The existence of an NMRA Standard or Recommended Practice does not imply that there are no other ways to produce, test, measure, purchase, market, or provide other goods and services related to the scope of the NMRA Standards documents. Furthermore, the viewpoint expressed at the time that NMRA approves or issues a Standard or Recommended Practice is subject to change brought about through developments in the state of the art and comments received from users of NMRA Standards documents.

In publishing and making its standards available, NMRA is not suggesting or rendering professional or other services for, or on behalf of, any person or entity, nor is NMRA undertaking to perform any duty owed by any other person or entity to another. Any person utilizing any NMRA Standards document, should rely upon their own independent judgment in the exercise of reasonable care in any given circumstances or, as appropriate, seek the advice of a competent professional in determining the appropriateness of a given NMRA Standards documents.

IN NO EVENT SHALL NMRA BE LIABLE FOR ANY DIRECT, INDIRECT, INCIDENTAL, SPECIAL, EXEMPLARY, OR CONSEQUENTIAL DAMAGES (INCLUDING, BUT NOT LIMITED TO: THE NEED TO PROCURE SUBSTITUTE GOODS OR SERVICES; LOSS OF USE, DATA, OR PROFITS; OR BUSINESS INTERRUPTION) HOWEVER CAUSED AND ON ANY THEORY OF LIABILITY, WHETHER IN CONTRACT, STRICT LIABILITY, OR TORT (INCLUDING NEGLIGENCE OR OTHERWISE) ARISING IN ANY WAY OUT OF THE PUBLICATION, USE OF, OR RELIANCE UPON ANY STANDARD OR RECOMMENDED PRACTICE, EVEN IF ADVISED OF THE POSSIBILITY OF SUCH DAMAGE AND REGARDLESS OF WHETHER SUCH DAMAGE WAS FORESEEABLE.

Translations

NMRA’s development of NMRA Standards documents involves the review of documents in English only. In the event that an NMRA Standards document is translated, only the English version published by NMRA is the approved NMRA Standards document.

Official Statements

A statement, written or oral, that is not processed in accordance with NMRA policies for distribution of NMRA communications, or approved by the Board of Directors, an officer or committee chairperson, shall not be considered or inferred to be the official position of NMRA or any of its committees and shall not be considered to be, nor be relied upon as, a formal position of NMRA.

Comments on Standards

Comments for revision of NMRA Standards documents are welcome from any interested party, regardless of membership. However, **NMRA does not provide interpretations, consulting information, or advice pertaining to NMRA Standards documents.**

Suggestions for changes in documents should be in the form of a proposed change of text, together with appropriate supporting comments. Since NMRA standards represent a consensus of concerned interests, it is important that any responses to comments and questions also receive the concurrence of a balance of interests. For this reason, NMRA, its departments, Working Groups or committees cannot provide an instant response to comments, or questions except in those cases where the matter has previously been addressed. For the same reason, NMRA does not respond to interpretation requests. Any person who would like to participate in evaluating comments or in revisions to NMRA Standards documents may request participation in the relevant NMRA working group.

Laws & Regulations

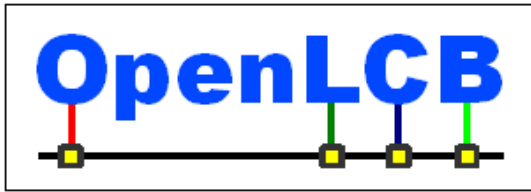
Users of NMRA Standards documents should consult all applicable laws and regulations. Compliance with the provisions of any NMRA Standards document does not constitute compliance to any applicable regulatory requirements. Implementers of the standard are responsible for observing or referring to the applicable regulatory requirements. NMRA does not, by the publication of NMRA Standards documents, intend to urge action that is not in compliance with applicable laws, and NMRA Standards documents may not be construed as doing so.

Copyrights

NMRA Standards documents are copyrighted by NMRA under US and international copyright laws. They are made available by NMRA and are adopted for a wide variety of both public and private uses. These include both use, by reference, in laws and regulations, and use in private self-regulation, standardization, and the promotion of modeling, structural and engineering practices and methods. By making NMRA Standards documents available for use and adoption by public authorities and private users, NMRA does not waive any rights in copyright to the NMRA Standards documents.

IMPORTANT NOTICE

NMRA Standards documents do not guarantee or ensure safety, security, health, or environmental protection, or ensure against interference with or from other systems, devices or networks. NMRA Standards documents development activities consider research and information presented to the standards development group in developing any safety recommendations. Other information about safety practices, changes in technology or technology implementation, or impact by peripheral systems also may be pertinent to safety considerations during implementation of the standard. Implementers and users of NMRA Standards documents are responsible for determining and complying with all appropriate safety, security, environmental, health, and interference protection practices and all applicable laws and regulations.



OpenLCB Technical Note

CAN Physical Layer

July 22, 2024

Adopted

1 Introduction

This Technical Note contains informative discussion and background for the corresponding OpenLCB Standard. This Technical Note is not normative in any way.

2 Annotations to the Standard

- 5 This section provides background information on corresponding sections of the OpenLCB CAN Standard document. It's expected that the two documents will be read together.

2.1 Introduction

The CAN Physical Layer provides a means by which to transport OpenLCB data over a CAN bus using a standardized mechanical connection and cabling.

10 2.2 Intended Use

Users can expect to be able to form networks within limitations. For example, reliable operations on a single CAN segment is subject to multiple limitations, including:

- Maximum CAN segment cable length is 1000 ft / 300m
- 15 • The max cable length is reduced by 20 ft / 6m for each physical node attached to the segment
- The max cable length is further reduced by double the length of each stub cable attached to the segment
- There may never be less than 1 ft / 30cm of cable between nodes, nor between a stub connection and a node.

- 20 This implies that there is a limit of about 48 nodes on a single segment.

These expectations are based on CAN documentation, component-vendor specifications & application notes, and industrial experience with CAN. The intent is to set expectations that can be met essentially all of the time. The Standard does not restrict users from building, or attempting to build, networks that exceed these expectations. Often, OpenLCB CAN layouts that

25 somewhat exceed these expectations will be able to operate reliably.

These expectations are based on UTP/RJ45 wiring of equipment that conforms to the Standard. Wiring and/or equipment that exceeds the Standard may result in being able to reliably build larger networks; alternate wiring or equipment may work well on smaller networks, but may not be able to reach the network sizes listed in that section.

- 30 Manufacturers may want to use CAN transceiver chips with either reduced load, or increased drive capability relative to the CAN specification.
- The CAN specifications require the receiver input impedance R_{diff} must be 10k ohms or greater. Transceivers with e.g. 20k ohm input impedance reduce the total bus load and can allow significantly more nodes. They will generally not allow greater maximum lengths.
- 35
- The CAN transmitter output drive capability is expressed as a minimum bus resistance of 45 ohms. Bus transmitters with improved drive capability, e.g. 42.5 ohms, can allow significantly more nodes because the bus termination resistance provides much of the total load. Improved transmitters will generally not allow greater maximum lengths.

The Standard permits, but does not require, the use of improved transceivers.

- 40 The Standard discusses single CAN segments, and is silent on interconnecting multiple segments. For more discussion of options for interconnection, see the “Repeaters, Bridges and Gateways” section below.

2.3 References and Context

- 45 Conformance testing is simplified when it can be done by referring to vendor documentation, rather than requiring specific tests of parameters. The Standard therefore refers to other existing standards, where possible, instead of repeating the information.

2.4 Physical Interconnection

- 50 The Standard envisions two basic kinds of nodes: A board with 2 connectors and a box with a pig-tail cable, e.g. a handheld throttle. At the same time, the Standard should not rule out other implementations such as a board with two connectors and three pig-tails for attaching throttles, hence the somewhat complex wording in this section.

- 55 The Standard permits providing a terminal block for an alternate wiring of the CAN bus, for example to reduce the cost of small networks, so long as an RJ45 connector or connectors is provided for Standard-compliant wiring. For example, a manufacturer using a terminal block or blocks would provide an adapter board with the two RJ45s which will fit into the terminal block to make a Standard-conforming product. This adapter board may have provision for a termination resistors circuit. For mechanical simplicity, a pluggable terminal block could be used to connect the adapter board. As a by-product, if a pluggable RJ45 adapter were used, it would allow the module to be removed without any disturbance to the CAN segment and no need to link the two floating ends of the cable.

- 60 The signal names refer back to the signal definitions in the CAN specifications. UTP is unshielded cable, so the CAN_SHIELD conductor is being used as a second conductor for the CAN ground reference, CAN_GND.

The conductor assignments are based on industry practice for RJ45 connectors on CAN networks, c.f. Recommendation CiA 303 (2009) of the CAN in Automation e.V. group.

- 65 High-quality RJ45 connections are reliable even after thousands of connections and disconnections. (c.f. An HP survey of RJ45 use as a strain gauge connector, a much more demanding application than

70 this one¹). It's recommended that manufacturers use high-quality RJ45 jacks. They should also recommend that customers assemble CAN segments using high-quality RJ45 cables and plugs. In particular, cables with strain-relief boots and tab protectors will reduce connection problems for e.g. modular layouts.

The assignments of particular wire colors are for information only. These are the wire colors that users will encounter in the two popular ways of wiring commercial cables. When building a product using commercial cable, using one of these two color assignments will reduce confusion, but most OpenLCB CAN users will never need to refer to the wire colors in their cables.

75 The Standard does not require that all eight conductors be present in cables, but only the four that are minimally necessary for CAN communications. The reserved and power conductors are optional. This is because some low-cost CAT-3 "Ethernet" cables have only those required pairs present. Model railroaders who want to minimize cost, do not need distributed power, and are willing to forego future use of the reserved conductors can use these four-conductor CAT-3 "Ethernet" cables between nodes.

80 The discussion of wiring connectors in parallel is to make sure that all 8 wires go through a board, whether it's got connectors, pig-tail cables or a combination of the two, so long as it's got more than one connection to other nodes. The "single segment" language is meant to cover e.g. CAN repeaters and similar devices which have connections to two or more segments that are not electrically connected together. Note that nodes that provide power and/or the ALT_L and ALT_H signals do not have to wire
85 those in parallel.

The requirement to have all eight conductors present in nodes is so users can add power later, or an updated Standard can define the reserved conductors later, and still use them. The 1A requirement on interconnects is to make sure they're at least as robust as the connectors and cable.

90 For information on sizing circuit board traces to carry the required interconnection current, please see "IPC-2152 — Specification for Determining Current-carrying Capacity in Printed Board Design, 2009."

All 8 wires don't have to go through the board if there's only one connection, e.g. a throttle with a single jack or pig-tail cable with plug. In that case, only two pairs are required.

95 If a conforming device is providing power and has e.g. two jacks, the device can either connect them together and provide a max of 0.5A to both combined, or separately power them up to 0.5A each. Note that this means that the device has to provide power, however; if providing power is an option, not always present, the device should connect conductor 8 across the board to ensure that downstream nodes aren't cut off from power when it's not provided by the device. See Section 2.7 for more discussion of this.

100 Note that the Standard permits, but does not require, connecting the CAN signal ground on conductors 3 & 6 with the PWR_NEG power distribution ground on conductor 7. Power-supplying and power-consuming boards can connect PWR_NEG and the 3/6 grounds to simplify their internal structure. Designers should carefully consider noise immunity, the possibility of ground loops, and voltage offsets when doing this. A straight copper connection is within the letter of the requirement. An alternative to

¹https://www.psirep.com/sites/default/files/RJ-45_Excels_For_Stria_Gage_Connection.pdf

105 connecting them directly is a filtered connection, e.g. a 10 ohm resistor and a small RF choke or ferrite bead choke to isolate high frequency energy on the ground path.

Nodes that need a connection between conductor 7 and conductors 3 & 6 for proper operation are required to connect those conductors to avoid situations where the necessary connection is made on some other node, because that results in hard-to-diagnose bugs as the other node is connected and
110 disconnected. It's also meant to avoid situations where the remote ground connection results in large ground currents and/or reduced noise margin.

The 27V value in the no-damage requirement for the power connection comes from the S9.1 limitation on track voltage. In the unlikely case that a OpenLCB CAN RJ45 connector is plugged into a telephone system, a ringing telephone line can provide as much as 100 volts.

115 Note that the ISO 11898-2 CAN specification for maximum rating of CAN drivers is -3.0, +16.0 or +32.0 volts. Some CAN transceiver parts have higher maximum input voltage ratings. Implementors should check the specifications of their selected CAN transceivers, and consider whether additional protection against over-voltage damage might be worthwhile if the maximum rating of the component is less than the maximum DCC track voltage.

120 **2.5 Data Transport**

A reduced slew rate is preferred to reduce the effect of stubs on the network (c.f. the calculation in section 4.8 of TI SLLA270²). It's expected that model railroad networks will eventually use stubs to e.g. connect to handheld devices, so it's important to build support for a reasonable number of stubs into the network specification from the start. Note that many off-the-shelf CAN transceiver parts have
125 slew rates greater than 10V/microsecond by default. The recommended value for the slew rate is 4V/microsecond. A design range of 10V/microsecond to 3.5V/microsecond lower limit would allow some manufacturing margin below the 4V/microsecond recommendation.

The Standard only requires that termination meet the CAN requirements, which are limited to the differential total resistance of the terminators. Industry uses some improved termination practices
130 which are discussed in the "Bus Termination" section below.

The Standard is silent on the use of specific CAN frame formats or features.

2.5.1 Can Bit Timing

CAN controllers are designed with a variety of configurable parameters in their bit-detection timing. The purpose of these parameters is to adjust for networks of different bus length and peer devices on
135 the network.

It is very easy to set these parameters to values that appear to work in a workbench setup, but create repeatable errors in wiring situations that conform to the OpenLCB standard. Determining the cause of these errors requires advanced measurement equipment and in-depth understanding of the CAN-bus protocol, which is not expected to be available for a consumer. Setting the parameters *correctly* for
140 *every* device connected to the OpenLCB CAN-bus is necessary to ensure that any pair of devices connected to a correctly wired OpenLCB bus are able to communicate error-free.

²<http://focus.ti.com/lit/an/slla270/slla270.pdf>

The following commentary provides specific guidance on how to configure these parameters, including specific values recommended for common CAN controllers.

The requirement for supporting a peer clock tolerance of 0.9% is designed to be:

- 145 1. Easily achievable with commonly available CAN controllers.
2. Enable the use of precision “on-chip” oscillators found on some modern microcontrollers.

150 It is increasingly common to find precision “on-chip” oscillators in modern microcontrollers with 1% or better tolerance over their full operating range. Getting below the requirement of 0.9% is increasingly possible in some microcontrollers when the operating range is further limited to temperatures typically found in model railroad environments. The use of “on-chip” oscillators can reduce both cost and the risk of unwanted EMI.

The CAN bit timing is broken up into configurable segments.

SyncSeg	T_{Seg1}		T_{Seg2}
SyncSeg	PropSeg	PhaseSeg1	PhaseSeg2

155 These segment lengths are configured into units of time quanta (T_Q). The CanBitTimingCalculator.odt spreadsheet is provided to aid node designers in determining valid CAN bit timing parameters. The following table provides some useful information about CAN bit timing terms and parameters.

Term / Parameter	Definition
Information Processing Time (IPT)	Property of the CAN controller which is device specific. It has a typical value of 2 T_Q in most CAN controllers.
Time Quanta (T_Q)	Equal to the period of the CAN system clock, and the basic unit for defining a CAN bit segment length.
Nominal Bit Time (NBT)	The CAN bit period expressed in units of T_Q .
SyncSeg	Fixed duration of 1 T_Q . It is not configurable.
PropSeg	Propagation segment. Typically programmable to a value between 1 and 8 T_Q . Some CAN controllers combine this value with PhaseSeg1, in which case the combined value it is typically programmed to between 1 and 16 T_Q .

Term / Parameter	Definition
PhaseSeg1	Segment preceding the Sample Point. Typically programmable to a value between 1 and 8 T_Q . Some CAN controllers combine this value with PropSeg, in which case the combined value is typically programmed to between 1 and 16 T_Q .
PhaseSeg2	Segment following the Sample Point. Must be programmed to a value that is the maximum of IPT and PhaseSeg1.
T_{Seg1}	The combination of the PropSeg and PhaseSeg1 fields.
T_{Seg2}	The same as the PhaseSeg2 field.
Sample Point	The point on the boundary of PhaseSeg1 and PhaseSeg2. The bit value is sampled at this point.
Sync Jump Width (SJW)	The number of T_Q which the bit period may be extended or shortened due to resynchronization. Must be less than or equal to PhaseSeg2. Some CAN controllers require this value to be at least one less than PhaseSeg2. This value cannot exceed 4 T_Q .

The maximum peer oscillator tolerance can be calculated from the CAN controller bit timing parameters. It is defined as the minimum result of the following two formulas³:

160

$$\frac{SJW}{20 \times NBT}$$

$$\frac{MIN(PhaseSeg1, PhaseSeg2)}{2((13 \times NBT) - PhaseSeg2)}$$

The following table provides some examples of CAN bit timing values that meet the requirements of the standard. The table assumes that IPT is 2 T_Q .

³See <https://github.com/openlcb/documents/blob/master/references/cia99paper.pdf> and <https://github.com/openlcb/documents/blob/master/references/AN1798.pdf>

T_Q per Bit	T_{Seg1}		T_{Seg2}	SJW	Osc Tolerance	Max Bus Length (m)
	PropSeg	PhaseSeg1	PhaseSeg2			
20	14		5	4	0.980%	320
16	7	4	4	4 ⁴	0.980%	310
16	7	4	4	3	0.938%	310

165 The maximum oscillator tolerance is always computed as a budget that needs to be shared between the local node and the peer node(s). In the above table the budget is shared equally, i.e., half of the total budget is listed. The local node can never have a worse oscillator tolerance than the one presented in the table, as the device needs to be able to talk to another device of the same manufacturer and model.

170 If the local node has a more accurate clock source (typical for crystals), then more of the budget is left for the peer nodes. This means that the local node has greater flexibility in the CAN bit timing parameters. The node manufacturer just has to ensure that the remaining budget for the peer nodes is 0.9% or more, i.e., $total_budget - osc_tolerance > 0.9$.

Conformance testing of this requirement may be by inspection. In this case, it is expected that the node manufacturer will provide the conformance test team the following information:

- 175
1. Make, model, and bit timing configuration of the CAN controller used.
 2. Make, model, and clock configuration of any hardware components used in sourcing of the CAN controller clock. This includes any additional information required to determine the CAN controller clock accuracy.

2.6 ALT_L / ALT_H

180 After meeting the requirements to carry CAN data and power, there remains a spare conductor pair available for use. The use of these conductors is not fixed, and additional uses may be defined in the future. It is also possible that a given OpenLCB CAN installation may choose to take advantage of more than one of the additional uses. This is allowed, so long as the two uses are not electrically tied to one another. In other words, the OpenLCB ALT_L / ALT_H conductor path would need to be broken
185 between differing uses.

Several methods may be used to break the conduction path of ALT_L / ALT_H, and no one method is prescribed by the standard. For example:

1. A custom cable can be made that does not carry conductors 4 & 5.
2. A node manufacturer might choose to provide a node with jumpers for passing conductors 4 &
190 5 through the node.

⁴Some CAN controllers require SJW to be at least 1 T_Q less than PhaseSeg2.

Though OpenLCB cabling is not required to carry conductors 4 & 5, it is important to note that all nodes that do not use conductors 4 & 5 must still pass these signals through their node so as to not disturb the conduction path.

2.6.1 DCC Signal

195 For this use case, conductors 4 & 5 carry the DCC signal typically sourced by a DCC command station and typically consumed by a DCC power station, commonly known as a DCC Booster. Either one of the signaling methods mentioned by the NMRA Standard S-9.1.2 may be used:

- Full Scale Interface
- Driver/Receiver Interface

200 It is important to note that in order to be compliant to the CAN Physical Standard, an OpenLCB node that sources or consumes the DCC signal must also conform to the requirements in NMRA Standard S-9.1.2. This includes:

1. Labeling requirements which identify the Power Station characteristics.
2. Provision for a Power Station Interface “common” where applicable. Note, a Power Station Interface common is required if galvanic isolation is not provided.

205

The DCC signal use case of conductors 4 & 5 is intended to be used such that there is exactly one DCC signal source and one or more DCC signal consumers.

It is strongly encouraged that manufacturers consider galvanic isolation, especially in DCC signal consumer nodes that have a high current capacity which exceeds the limits of the CAN Physical Interconnection's capabilities. Galvanic isolation on conductors 1, 2, 3, 6, 7, and 8 from the high current capacity portion of the DCC signal consumer's circuitry should also be considered, though not explicitly required, if these signals are used. Below is pictured an example circuit that is commonly used in many existing DCC power stations which meets these requirements for the NMRA Standard S-9.1.2 Full Scale Interface.

210

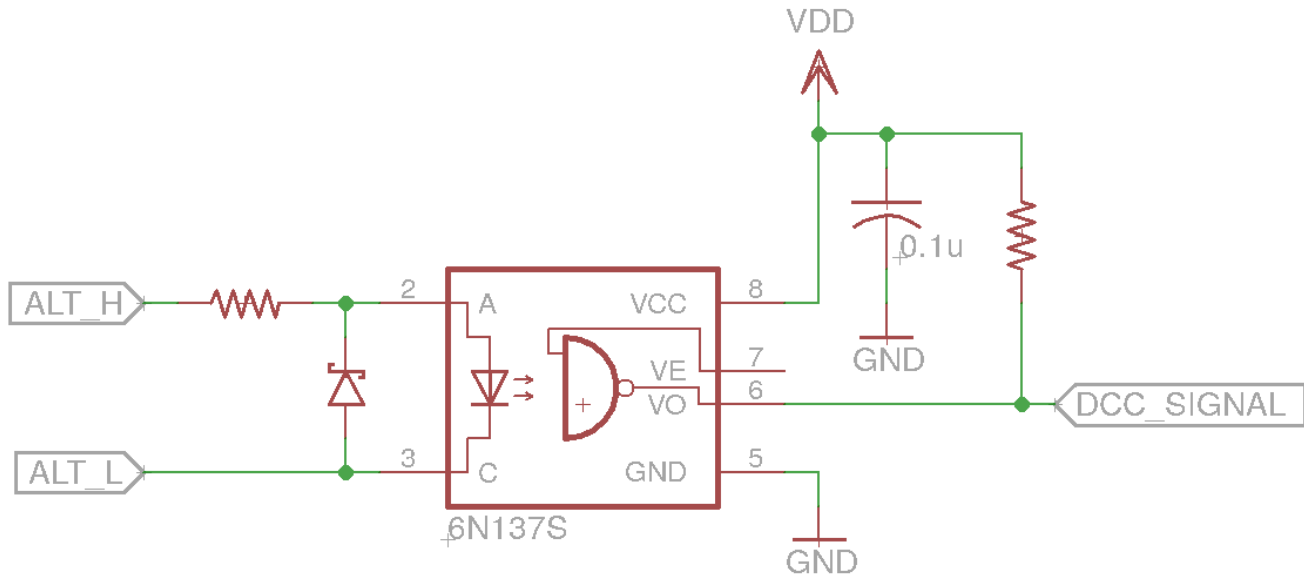


Figure 1: Opto-isolated DCC Booster Input Circuit Example

Galvanic Isolation is not required between the ALT_L / ALT_H and the other physical interconnection signals in a DCC source node.

ALT_L and ALT_H are not intended as a power source with CAN_GND, CAN_SHEILD, or PWR_NEG as a return path. The 4K ohms impedance requirement is taken from the TIA/EIA-422 standard for minimum receiver input impedance.

Nodes must be marked with their capability to either source or consume the DCC signal in order to make installation for the user both simple and reliable: The user must insure that DCC signal consumers exist on the same segment as exactly one DCC signal source. Simple icons may be used, such as:



Figure 2: Example graphics depicting, from left to right, a DCC Full Scale Interface Consumer, DCC Full Scale Interface Source, DCC Driver/Receiver Interface Source. Other variations are also possible.

While DCC power stations are logical DCC signal consumers, other types of nodes may also consume the DCC signal so long as they meet the requirements of NMRA Standard S-9.1.2.

2.7 Supply of Power

The power supply section is meant to define a 12V nominal system with wide margins on production and consumption of power over the UTP cable. The Standard is written to allow nodes to use this power in a range of ways, including having local power regulation ranging from simple analog regulators through more advanced supplies that increase current and/or voltage. 12V was chosen to

reduce heat loads when using the simplest regulators. The current limit was required by use of one conductor in UTP wiring and connectors.

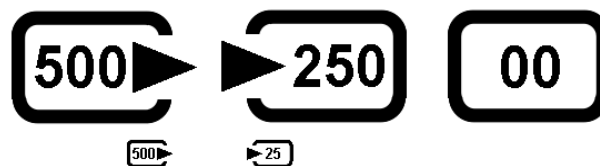
- 235 The power provisions are for low-power uses that can be conveniently handled over short lengths of cable. Boards are welcome to have other connectors for power. These other connectors can be anything not otherwise forbidden by some other standard, including terminal blocks, 2.1mm jacks, Anderson PowerPole connectors, or whatever else is considered useful for the specific market.

- 240 In order to prevent excessive voltage drop in the network cable, any node that draws power from the network cable should not be located any further than 6m (20') of network cable length from a power supply point with sufficient capacity to power all the nodes located within that section of the network cable. In no case shall the total current flowing in any section of the network cable be allowed to exceed 1A. The specified maximum supply from any one connector of 500mA is meant to ensure this even in the presence of stub cables forming a T connection.

- 245 The requirement that “If the node does not provide power on pin 8 on all connectors, pin 8 on all connectors shall be connected in parallel” is intended to allow a power-providing node to either have power supplied in parallel to all connectors, or via separate supplies to each connector. For example, a node could have a 500mA supply on a common conductor between two CAN connectors, or two 500mA supplies separately connected to two CAN connectors. A power-providing node is required to
250 provide power to all connectors to reduce user confusion.

- Having separate supplies for the connectors, without a pass-through connection, is the recommended approach. This can be done with two isolation diodes. See the sample schematic in section 3.3 . This recommendation is based on experience on large layouts with early nodes that implemented power pass-through. If the power supplies came up at different times, there were large currents generated as
255 the early powered-on supplies passed power through to nodes beyond the still powered-off supplies. The resulting voltage drop caused problems that were hard to diagnose.

- Nodes must be marked with their capacity to supply current and/or their current requirements in order to make the power calculation simple and reliable: Just add up the numbers on the labels. The requirement that the label is always present, even when zero, is to reduce user frustration when they
260 can't find a label. Simple icons may be used, such as:



Power can be injected into the cable by simple “mid-span injector” devices, essentially just two RJ45 connectors and a 2.1mm jack for a wall-wart. It is not required that power comes from a full node implementation.

- 265 The wiring system is likely to result in power-supplying nodes being connected to each other. This is covered by the “shall withstand” voltage requirement: power supply boards must be able to be connected to each other, even if their output voltages are not exactly the same. One way to implement this is an isolating diode on the PWR_POS output. The closer the supply outputs are to the 12V nominal value, the better this will work.

2.8 Consumption of Power

270 The labeling provision is to make the calculation of total power required simple and reliable: Just add up the numbers on the labels. The requirement that the label is always present, even when zero, is to reduce user frustration when they can't find a label.

For their thermal calculations, node designers should assume that power is supplied at 15V.

For their power calculations, node designers should assume that power is supplied at 7.5V.

275 2.9 Injection Current

If the sum of the current on all eight conductors going into and out of the node does not sum to zero, there exists an alternate path for current to flow between two nodes that is not isolated from the Physical Interconnection described by this standard. Whenever two disparate current paths exist, it is difficult, if not impossible, for the manufacturer to have control of which path the current will take
280 given that the installation details are typically left up to the user.

Specifically, the existence of this requirement makes all of the eight conductors in the Physical Interconnection unsuitable for use as a low impedance current path between DCC signal consumers, such as DCC Power Stations, or for similar use cases where a current return path between externally powered nodes is required.

285 2.10 Electronic Labeling

The E-labeling option is provided as an option to manufacturers that have a display in their product. This option in the standard is conceptually based off of FCC ID e-labeling requirements found in FCC document 784748 D02 e labeling v02r01.

290 One example where this may be useful is with a wired throttle. Since a throttle is often a handheld device, having a sticker may negatively impact the feel and user experience of the product. Ink printing, engraving, or directly molding the label into the enclosure may be too costly for the manufacturer. Furthermore, the correct value for the label may not be known in time for these steps in the development and/or manufacturing process.

295 This option is not limited to a handheld throttle or any other specific use case. Required accessory means exactly that: The device cannot be used or commissioned without the accessory.

Example to meet the “no more than three steps” requirement:

- Step 1 – access submenu (for example, “Settings”)
- Step 2 – access submenu (for example, “OpenLCB”)
- Step 3 – access submenu (for example “Maximum Current Consumption”, where the applicable
300 information is displayed)

3 Design Issues

This section contains discussion of issues that a designer may wish to consider when designing an OpenLCB CAN product. Nothing in this section is normative.

3.1 Bus Termination

305 The CAN specification (ISO11898-2 section 7.1 and section 7.5.2) specifies the use of a bus termination resistor at each end of the bus of 120 (nominal; minimum 100, maximum 130) ohms and rated for 220mW or more. Several alternate termination schemes have been proposed in the literature, and these alternatives are discussed below.

310 Although the CAN specification allows the termination resistance to be below 120 ohms, this requires additional drive from the CAN transceivers. Holding the termination resistance closer to 120 ohms can allow a larger number of nodes on a CAN segment, but generally does not increase the maximum segment length.

3.1.1 Termination Circuits

3.1.1.1 *Passive single resistor*

315 A single 120±10 ohm resistor of ¼ watt or more capacity can be connected between CAN-H and CAN-L. This approach has the advantage of simplicity.

3.1.1.2 *Passive split resistors bypassed to ground*

320 This consists of the CAN-L and CAN-H lines being connected by two 60 ohm resistors in series, with their common connected via a capacitor to ground. This provides a bypass to ground for common mode noise. The tolerance on the individual resistor values is significantly tighter than on their total resistance. Several references recommend 1% tolerance resistors to reduce coupling of the differential CAN signal into common mode noise⁵. Selecting matched pairs of resistors with looser nominal tolerance might be another solution.

3.1.1.3 *Biased split termination*

325 As in (3.1.1.2), but the common of the resistors is also tied to a fixed voltage. This can be to nominal 2.5V via a voltage divider⁶, or by using a voltage reference⁷. If there is a significant offset of ground between two nodes, then this offset will be transmitted to the CAN lines with consequent degradation of common-mode rejection.

3.1.1.4 *Active termination*

330 This termination is accomplished by using active elements, such as transistors or op-amps, to actively drive the bus to its proper state. Because of the recessive component of the ISO 11898-2 CAN signal, this form of termination is not appropriate.

⁵<http://focus.ti.com/lit/an/slla270/slla270.pdf>, <https://www.ti.com/lit/an/sloa101b/sloa101b.pdf>

⁶<http://ww1.microchip.com/downloads/en/AppNotes/00228a.pdf>

⁷<https://www.ti.com/lit/an/sloa101b/sloa101b.pdf>

http://www.nxp.com/documents/application_note/AN10211.pdf

3.1.1.5 *Distributed termination*

335 This technique requires a fixed number of custom-impedance nodes, and is therefore not suitable for model railroad applications that are based on user-specific ad-hoc networks made from standard components.

3.1.2 *Terminator Placement*

Termination can be supplied as an on-board option, or as a terminator housed within an RJ45 plug, or as a separate terminator device, depending on the preferences of the manufacturer and users.

340 Using plug-resident terminators would seem to provide the maximum flexibility, but it may be difficult to build a split terminator into a RJ45 plug.

345 If on-board terminators are provided, the Standard requires it be possible to enable or disable them depending on where the node is installed on the CAN segment. Termination should only occur at the two distant ends of the bus. Termination in the middle of a significant-length CAN bus is very disruptive because it causes reflections. The one downside to on-board termination is that it makes it much easier to have multiple terminators (customers think more must be good, and mistakenly turn them all on). It's required that nodes be shipped with on-board terminators disabled to reduce the chance that a termination load will be attached in the middle of the segment. Note that ISO11898-2 states "The locating of the termination within a CAN node should be avoided because the bus lines lose termination if this node is disconnected from the bus line." (Section 5.2.1) and "It is not recommended to integrate the termination into a CAN node." (Section 7.1)

350 Manufacturers may want to provide a special termination node to provide some indication of bus health as well as providing termination. Industrial diagnostic equipment provides some examples of what can be done⁸.

355 **3.2 *EMC Management and Noise Immunity***

Electro-Magnetic Compatibility (EMC) refers to ensuring that a system, e.g. a CAN bus, does not cause interference with other systems. CAN is a robust signaling method developed for use in the difficult environment of automobiles. Issues of EMC, noise immunity, etc have been discussed in numerous vendor application notes⁹.

360 See also the "References" section below.

3.2.1 Chokes

365 A series choke or transformer can improve the noise immunity of a CAN transceiver. The Standard permits the use of one, but doesn't require it. The advantages and disadvantages of including one are discussed in the NXP (Philips) and Texas Instruments application notes referenced above. See also the footnote below¹⁰.

⁸<https://www.microchip.com/en-us/development-tool/apgdt002>

http://www.ixxat.com/cancheck_en.html?markierung=cancheck

⁹http://www.nxp.com/documents/application_note/AN10211.pdf

<http://focus.ti.com/lit/an/slla270/slla270.pdf>

¹⁰<http://www.ti.com/lit/an/slla271/slla271.pdf>

Typical parts are the TDK ZJYS81RS-2PL51(T)-G01 and the ZJYS51-2PT.

3.2.2 ESD and surge protection

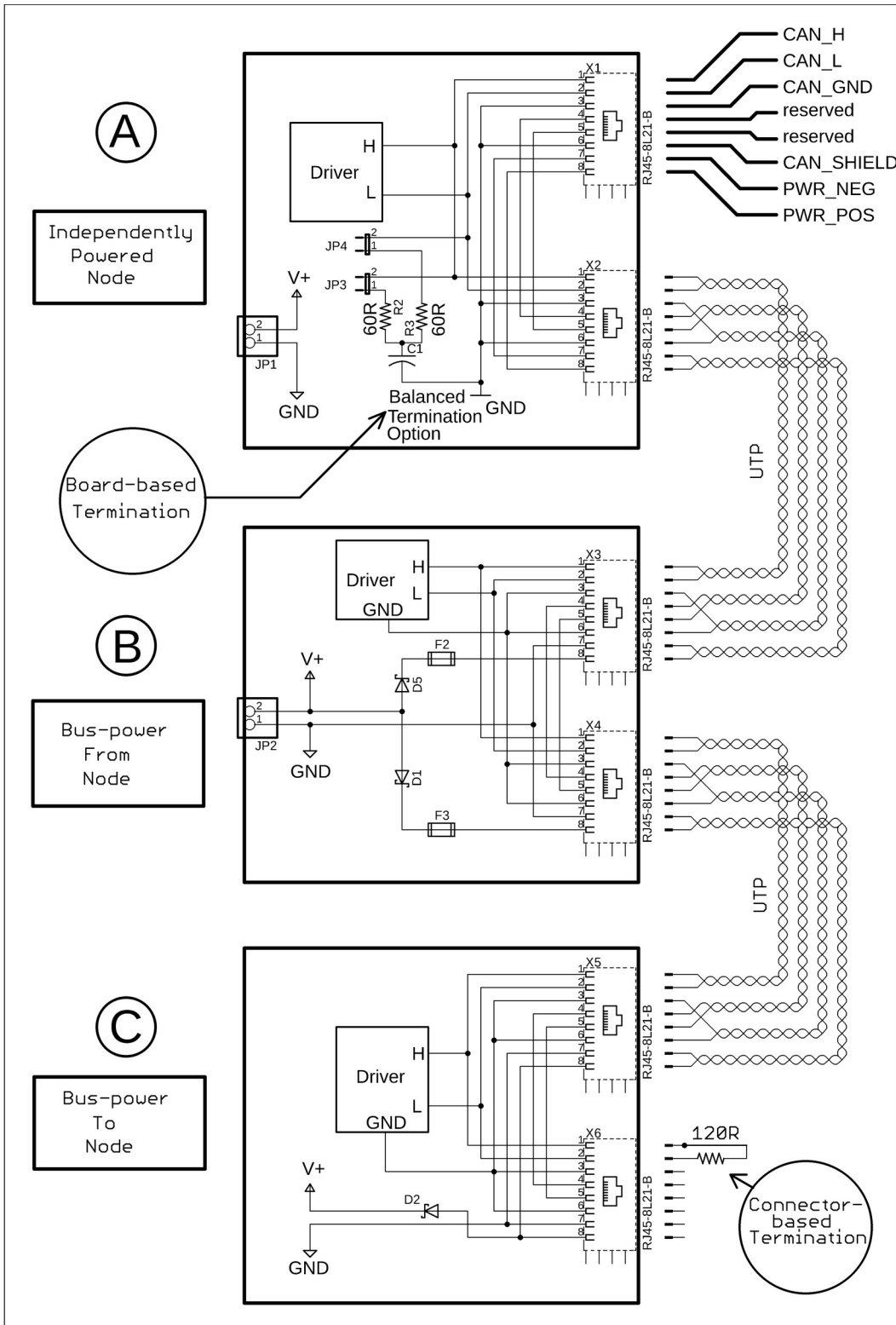
370 The CAN Standard requires a certain level of over-voltage protection in CAN transceivers. External parts may be used to provide additional protection. The Standard is silent on this, requiring nothing beyond the CAN Standard, and OpenLCB makes no recommendations. Manufacturers may want to consider including additional protection, but have to balance the costs and benefits of that. For a longer discussion, see:

J. Lepkowski and B. Wolfe, ON Semiconductor: EMI/ESD protection solutions for the CAN bus; CAN in Automation, iCC 2005¹¹

375 **3.3 Sample Schematic**

The following informative schematic is a sample of various possible design choices, and not normative in any way.

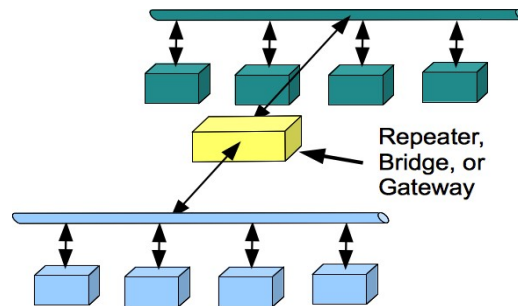
¹¹https://web.archive.org/web/20121113225427/https://www.can-cia.org/fileadmin/cia/files/icc/10/cia_paper_lepkowski.pdf



4 Repeaters, Bridges and Gateways

380 A CAN segment is a set of directly-connected cables that is shared by multiple nodes with directly-connected transceivers. Any node on the segment can communicate with any other node. A CAN segment has limited length, number of nodes and stub connections due to timing and electrical properties of the cables and transceivers.

385 Repeaters, bridges and gateways are different methods of connecting two or more CAN segments so that a node on one segment can communicate with nodes on any connected segment. This section provides some background information on these three alternatives. Note that the terminology is somewhat flexible, and not all manufacturers will refer to their products in the same way.



390 In each section, URLs are provided for a few example devices. Inclusion of a device in this section is informational, and does not imply a recommendation, positive or negative, for the device. No inferences should be drawn from a device being or not being included in this section.

4.1 Repeaters

395 The number of nodes connected to a short CAN segment may be limited by the electrical drive characteristics of the transceivers for the CAN signal, without reaching the timing limitations of the CAN protocol. In this case, a repeater may be used to connect a second segment containing more nodes. The repeater effectively boosts the electrical signals moving from one segment to the other, so that the nodes on one side appear as only a single electrical load on the other.

400 Doing this takes a small amount of time, so use of repeaters reduces the total possible end-to-end length of the combined CAN segments, typically reducing it by around 30 m / 100 ft per repeater. Under certain circumstances, they can be used to add long stubs to a CAN network; doing this successfully requires detailed understanding of CAN characteristics.

Repeaters are sometimes referred to as “working at the bit level”. The CAN transmission is delayed by less than a bit time, and the CAN arbitration process still works between nodes on the two segments.¹²

4.2 Bridges

405 A bridge looks like an independent CAN node on each of two or more CAN segments, receiving frames on a segment and sending them independently on the others. As such, it allows connection of two or more full size, full node-count CAN segments.

¹²https://web.archive.org/web/20111211031716/http://www.ixxat.com/introduction-repeater_en.html

Bridges are sometimes referred to as “working at the frame level”. The CAN transmission is delayed by much more than a bit time, usually a frame time or longer.

410 The CAN arbitration process takes place on each segment independently, and is not shared between the separate segments; frames will appear in different order on the various segments. RTR frames generally cannot be used across bridges. The protocol(s) running on the CAN segments must be compatible with these constraints if bridges are to be used.

415 Because bridges break the timing connection between the connected segments, they can also be used for remote connections via non-CAN cables, wireless, etc. In this case, a bridge device is usually used at each end of the remote link, and the protocol between the two devices is specific to the CAN bridge function¹³.

4.3 Gateways

420 Gateways connect a CAN segment to another communication technology, such as IP over wireless, Ethernet or some other. In the process, they may reformat or translate the CAN frames as needed. For example, a USB-CAN adapter may convert the CAN frame bytes into some form of human-readable text.

This reformatting may be independent of the CAN frame content information, or specific to some protocol that defines meaning for the CAN frames¹⁴.

425 5 References

This section provides references, and when possible URLs, that may be of use to OpenLCB-CAN implementors.

5.1 Standards

430 The OpenLCB CAN Physical Layer Standard references ISO 11898-1 and ISO 11898-2 for CAN specifications. The ISO¹⁵ sells PDF and paper copies of these. Copies can generally be found in engineering libraries¹⁶.

Note that ISO 11898-3, 11898-4 and 11898-5 specify different variants of the CAN standard that are not relevant to OpenLCB CAN-compliant implementations. The original 1995 Bosch CAN standard, which can be found online, is similar to ISO 11898-1 and -2, but not identical.

¹³<http://www.ieee-icnp.org/1996/papers/1996-21.pdf>

<http://doi.ieeeecomputersociety.org/10.1109/ISPAN.1996.509033>

¹⁴<http://news.thomasnet.com/fullstory/Gateway-converts-from-CAN-into-Ethernet-529941>

<http://www.icpdas-usa.com/products.php?PID=3075>

¹⁵<http://www.iso.org>

¹⁶http://www.iso.org/iso/iso_catalogue/catalogue_tc/catalogue_detail.htm?csnumber=33422

http://www.iso.org/iso/iso_catalogue/catalogue_tc/catalogue_detail.htm?csnumber=33423

435 The OpenLCB CAN Physical Layer Standard references TIA/EIA-568-B or the successor TIA/EIA-568-C for unshielded twisted pair (UTP) cable, and TIA-968-A for RJ45 modular plugs and jacks. The TIA¹⁷ sells PDF and paper copies of these. Copies can generally be found in engineering libraries.

5.2 Books

440 This section is an informal list of books that may or may not be useful for people building OpenLCB CAN devices. The brief reviews are just opinion, and you should make up your own mind about the correctness and usefulness of the book.

5.2.1 Recommended

445 “Controller Area Network: Basics, Protocols, Chips and Applications”, Prof. Dr.-Ing. K. Etschberger, IXXAT Press, Weingarten, Germany 2001 – a little dated now, but has excellent discussions of theory, particularly for complex networks.

"Embedded Networking with CAN and CANopen", Pfeiffer, Ayre and Keydel, Copperhill Technologies, 2008 – generally considered the gold standard in CAN books.

“A Comprehensible Guide to Controller Area Network”, Wilfried Voss, Copperhill Technologies, 2005

450 “Multiplexed Networks for Embedded Systems”, Dominique Paret, Wiley, 2007 – good coverage of CAN through first half of volume, including protocol and physical layer issues.

5.2.2 Not Recommended

“Designing Embedded Systems with PIC Microcontrollers”, Tim Wilmhurst, Newnes (Elsevier), 2010 – very brief coverage of CAN issues on pages 581 through 586.

455 “Embedded Systems Design and Applications with the 68HC12 and HCS12”, S.F. Barret and D.J. Pack, Pearson Prentice Hall, 2005 – limited coverage of CAN from pages 595 through 600, with coverage of the details of the specific msCAN12 controller through page 634. Of limited value unless one is writing a low-level library for that controller.

5.3 Application Notes

460 A number of component manufacturers have written application notes that may be useful to OpenLCB CAN developers. A list is provided here for reference, but note that none of these are normative; for specific values, etc, please refer to the standards listed above.

5.3.1 Anixter

“ANSI/TIA/EIA-568-B Standards Reference Guide”¹⁸

5.3.2 Mohawk.com

465 “ANSI/TIA/EIA-568-B (B.1, B.2 and B.3) Commercial Building Telecommunications Cabling Standard”¹⁹

¹⁷<http://www.tiaonline.org>

¹⁸<https://www.anixter.com/content/dam/Anixter/Guide/12H0008X00-Anixter-IA-Standards-Ref-Guide-ECS-EN-US.pdf>

¹⁹<https://web.archive.org/web/20130817232725/http://www.mohawk-cable.com/support/ansi-tia-eia-568-b.html>

5.3.3 Microchip Corp

AN713 “Controller Area Network (CAN) Basics”²⁰

AN228 “A CAN Physical Layer Discussion”²¹

470 AN853 “PIC18XXX8 CAN Driver with Prioritized Transmit Buffer”²²

5.3.4 ON Semiconductor

AND8376/D “AMIS-30660/42000 - Topology Aspects of a High-Speed CAN Bus”²³

5.3.5 NXP Electronics (Philips)

AN96116 “PCA82C250 / 251 CAN Transceiver”²⁴

475 AN10211 “TJA1040 high speed CAN transceiver”²⁵

5.3.6 Texas Instruments

Analog Applications Journal, August 1999, TI SLYT197 “TIA/EIA-568A Category 5 cables in low-voltage differential signaling (LVDS)”²⁶

Application Report SLOA101A “Introduction to the Controller Area Network (CAN)”²⁷

480 Application Report SLLA270 “Controller Area Network Physical Layer Requirements”²⁸

Application Report SLLA298B “Isolated CAN Reference Design”²⁹

Application Report SLOU262 “Isolated CAN Transceiver EVM”³⁰

Application Report SLLA271 “Common Mode Chokes in CAN Networks: Source of Unexpected Transients”³¹

²⁰<http://ww1.microchip.com/downloads/en/AppNotes/00713a.pdf>

²¹<http://ww1.microchip.com/downloads/en/AppNotes/00228a.pdf>

²²<http://ww1.microchip.com/downloads/en/AppNotes/00853a.pdf>

²³http://www.onsemi.com/pub_link/Collateral/AND8376-D.PDF

²⁴http://www.nxp.com/documents/application_note/AN96116.pdf

²⁵http://www.nxp.com/documents/application_note/AN10211.pdf

²⁶<http://focus.ti.com/lit/an/slyt197/slyt197.pdf>

²⁷<https://www.ti.com/lit/an/sloa101b/sloa101b.pdf>

²⁸<http://focus.ti.com/lit/an/slla270/slla270.pdf>

²⁹<http://focus.ti.com/lit/an/slla298b/slla298b.pdf>

³⁰<http://focus.tij.co.jp/jp/lit/ug/slou262/slou262.pdf>

³¹<http://www.ti.com/lit/an/slla271/slla271.pdf>

- 485 Analog Applications Journal, 3Q 2006, TI SLYT249 “Improved CAN network security with TI’s SN65HVD1050 transceiver”³²

5.4 Component data sheets

- 490 This section lists component data sheets that may be of value to the OpenLCB CAN implementer. Inclusion of a component data sheet in this section is informational, and does not imply a recommendation, positive or negative, for the component or data sheet. No inferences should be drawn from a component data sheet being or not being included in this section.

5.4.1 Microchip

MCP2551 High-Speed CAN Transceiver³³

MCP2561, MCP2562 High-Speed CAN Transceiver³⁴

- 495 MCP2515 Stand-Alone CAN Controller With SPI Interface³⁵

5.4.2 NXP Electronics (Philips)

PCA82C250 CAN controller interface³⁶

TJA1043 High-speed CAN transceiver³⁷

5.4.3 STMicroelectronics

- 500 L9615 transceiver³⁸

5.4.4 Texas Instruments

ISO1050 Isolated CAN Transceiver³⁹

SN55HVD251, SN65HVD251 Industrial CAN Transceiver⁴⁰

SN65HVD1050 EMC Optimized CAN Transceiver⁴¹

- 505 SN55HVD230, SN55HVD231, SN55HVD232 3.3-V CAN Transceivers⁴²

³²<http://focus.ti.com/lit/an/slyt249/slyt249.pdf>

³³<https://www.microchip.com/en-us/product/mcp2551>

³⁴<https://www.microchip.com/en-us/product/mcp2561>

³⁵<https://www.microchip.com/en-us/product/mcp2515>

³⁶http://www.nxp.com/documents/data_sheet/PCA82C250.pdf

³⁷http://www.nxp.com/documents/data_sheet/TJA1043.pdf

³⁸<http://www.st.com/st-web-ui/static/active/en/resource/technical/document/datasheet/CD00001375.pdf>

³⁹<http://focus.ti.com/lit/ds/symlink/iso1050.pdf>

⁴⁰<http://focus.ti.com/lit/ds/symlink/sn55hvd251.pdf>

⁴¹<http://focus.ti.com/lit/ds/symlink/sn65hvd1050.pdf>

⁴²<http://www.ti.com/lit/ds/symlink/sn65hvd230.pdf>

5.5 Tools

510 This section lists tools and diagnostic equipment that may be of value to the OpenLCB CAN implementor. Inclusion of an item in this section is informational, and does not imply a recommendation, positive or negative, for the item. No inferences should be drawn from an item being or not being included in this section.

5.5.1 Microchip

CAN BUS Analyzer Tool “simple to use low cost CAN bus monitor”⁴³

5.5.2 IXAAT

CANcheck “Installation tester for CAN networks”⁴⁴

⁴³<https://www.microchip.com/en-us/development-tool/apgdt002>

⁴⁴http://www.ixxat.com/cancheck_en.html?markierung=cancheck

Table of Contents

1	Introduction.....	1
2	Annotations to the Standard.....	1
2.1	Introduction.....	1
2.2	Intended Use.....	1
2.3	References and Context.....	2
2.4	Physical Interconnection.....	2
2.5	Data Transport.....	4
2.5.1	Can Bit Timing.....	4
2.6	ALT_L / ALT_H.....	7
2.6.1	DCC Signal.....	7
2.7	Supply of Power.....	9
2.8	Consumption of Power.....	10
2.9	Injection Current.....	10
2.10	Electronic Labeling.....	10
3	Design Issues.....	11
3.1	Bus Termination.....	11
3.1.1	Termination Circuits.....	11
3.1.1.1	Passive single resistor.....	11
3.1.1.2	Passive split resistors bypassed to ground.....	11
3.1.1.3	Biased split termination.....	12
3.1.1.4	Active termination.....	12
3.1.1.5	Distributed termination.....	12
3.1.2	Terminator Placement.....	12
3.2	EMC Management and Noise Immunity.....	13
3.2.1	Chokes.....	13
3.2.2	ESD and surge protection.....	13

- 3.3 Sample Schematic..... 13
- 4 Repeaters, Bridges and Gateways..... 15
 - 4.1 Repeaters..... 15
 - 4.2 Bridges..... 15
 - 4.3 Gateways..... 16
- 5 References..... 16
 - 5.1 Standards..... 16
 - 5.2 Books..... 17
 - 5.2.1 Recommended..... 17
 - 5.2.2 Not Recommended..... 17
 - 5.3 Application Notes..... 17
 - 5.3.1 Anixter..... 17
 - 5.3.2 Mohawk.com..... 17
 - 5.3.3 Microchip Corp..... 18
 - 5.3.4 ON Semiconductor..... 18
 - 5.3.5 NXP Electronics (Philips)..... 18
 - 5.3.6 Texas Instruments..... 18
 - 5.4 Component data sheets..... 19
 - 5.4.1 Microchip..... 19
 - 5.4.2 NXP Electronics (Philips)..... 19
 - 5.4.3 STMicroelectronics..... 19
 - 5.4.4 Texas Instruments..... 19
 - 5.5 Tools..... 20
 - 5.5.1 Microchip..... 20
 - 5.5.2 IXAAT..... 20